

Technical data sheet

Clamp clip, single, plastic pressure trough, FT

Item number: 1160346



Suitable for all C profile rails with slot width 16–17 mm.
Hot-dip galvanized steel clip and bolt, polypropylene pressure trough, halogen-free, colour light grey RAL 7035.
Version with welding and/or locknuts for use under difficult circumstances and for shake protection on request.



St Steel

FT Hot-dip galvanized

Master data

Item number	1160346
Description 1	Clamp clip
Manufacturer	OBO
Dimension	28-34mm
Material	Steel
Surface	Hot-dip galvanized
Surface standard	DIN EN ISO 1461
Smallest sales unit	100
Unit of quantity	Piece
Weight	7.68 kg
Weight unit	kg/100 pc.

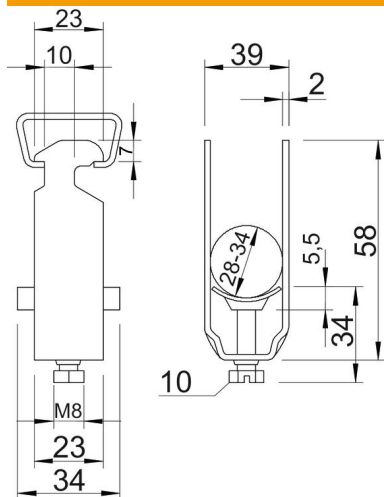
Technical data sheet

Clamp clip, single, plastic pressure trough, FT

Item number: 1160346



Dimensions



Dimension A	23 mm
Dimension B	39 mm
Dimension C	34 mm
Dimension G (mm)	M8
Dimension H	66 mm
Dimension L	34 mm
Dimension t	2 mm
Dimension x	5.5 mm

Technical data

Number of cables/pipes	1
for rail with slot width (with interval), max.	17 mm
for rail with slot width (with interval), min.	16 mm
Halogen-free	yes
Max. Tightening torque	5 Nm
With plastic trough	yes
With metal trough	no
Mounting type	Profile rail
Impact-resistant	no
Clamping range D, max.	34 mm
Clamping range D, min.	28 mm
Surface addition	hot galvanised
Material addition	Steel
With counter-trough	no
Material of trough	Plastic
Material quality of trough	Polypropylene