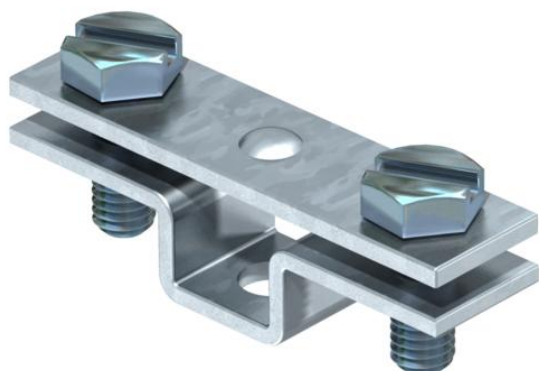


# Technical data sheet

## Spacer for flat conductor with fastening hole $\varnothing$ 6.5

Item number: 5032040



- Fit: FL 30 and FL 40
- With mounting hole  $\varnothing$  6.5 mm and 2 hexagonal bolts M6 x 16 (F)

St	Steel
FT	Hot-dip galvanised

### Master data

Item number	5032040
Type	831 40
Description 1	Spacer
Description 2	for steel strip
Manufacturer	OBO
Dimension	40mm
Material	Steel
Surface	Hot-dip galvanised
Surface standard	DIN EN ISO 1461
Smallest sales unit	25
Unit of quantity	Piece
Weight	3.894 kg
Weight unit	kg/100 pc.

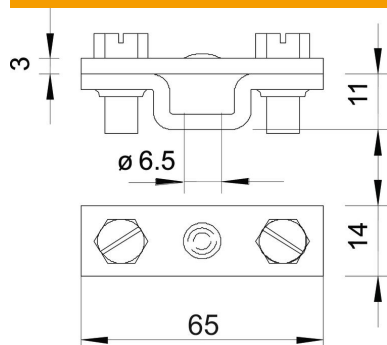
# Technical data sheet

Spacer for flat conductor with fastening hole  $\varnothing 6.5$

Item number: 5032040



## Dimensions



Dimension B | 65 mm

## Technical data

Cable dimensions | max. 40 mm flat