

# Technical data sheet

## Clamp clip 2056 H-foot, 1-fold, metal pressure sleeve, FT

Item number: 1186016



Clamp clip with hammerhead foot, metal pressure sleeve with rounded edges to protect the cable. For vertical and horizontal mounting of 1 single cable on a C-profile rail. For a slot width 16–17 mm. With 1-start screw thread on pressure sleeve, universal hexagonal screw head WAF10, with slot and cross recess. Suitable for assembly indoors and outdoors. The counter-sleeve must be ordered separately.



**St** Steel

**FT** Hot-dip galvanised

### Master data

|                                   |                         |
|-----------------------------------|-------------------------|
| Item number                       | 1186016                 |
| Description 1                     | Clamp clip 2056         |
| Manufacturer                      | OBO                     |
| Dimension                         | 16-22mm                 |
| Material                          | Steel                   |
| Surface                           | Hot-dip galvanised      |
| Surface standard                  | DIN EN ISO 1461         |
| Smallest sales unit               | 100                     |
| Unit of quantity                  | Piece                   |
| Weight                            | 4.4 kg                  |
| Weight unit                       | kg/100 pc.              |
| CO Footprint (GWP) Cradle-to-Gate | 0,0938 kg COe / 1 Piece |

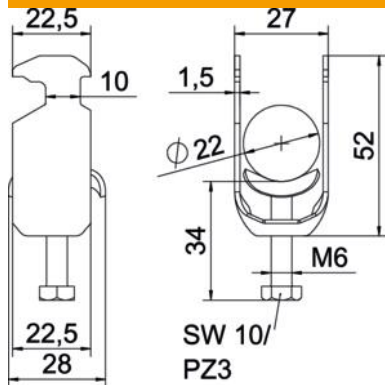
# Technical data sheet

Clamp clip 2056 H-foot, 1-fold, metal pressure sleeve, FT



Item number: 1186016

## Dimensions



|                  |         |
|------------------|---------|
| Length           | 22.5 mm |
| Width            | 27 mm   |
| Height           | 52 mm   |
| Plate thickness  | 1.5 mm  |
| Dimension A      | 22.5 mm |
| Dimension B      | 27 mm   |
| Dimension C      | 28 mm   |
| Dimension G (mm) | M6      |
| Dimension H      | 34 mm   |
| Dimension L      | 34 mm   |
| Dimension t      | 1.5 mm  |

## Technical data

|  |                |
|--|----------------|
| Number of cables/pipes                         | 1              |
| Maintain electrical functions                  | yes            |
| For pipe diameter, max.                        | 22 mm          |
| For pipe diameter, min.                        | 16 mm          |
| for rail with slot width (with interval), max. | 17 mm          |
| for rail with slot width (with interval), min. | 16 mm          |
| Thread   | M6             |
| Halogen-free                                   | yes            |
| Length of external dimensions                  | 28 mm          |
| Max. Tightening torque                         | 3 Nm           |
| With plastic trough                            | no             |
| With metal trough                              | yes            |
| Mounting type                                  | Profile rail   |
| Slot width                                     | 10 mm          |
| Clamping range D, max.                         | 22 mm          |
| Clamping range D, min.                         | 16 mm          |
| Surface addition                               | hot galvanised |
| Material addition                              | Steel          |
| With counter-trough                            | no             |
| Material of trough                             | Steel          |