

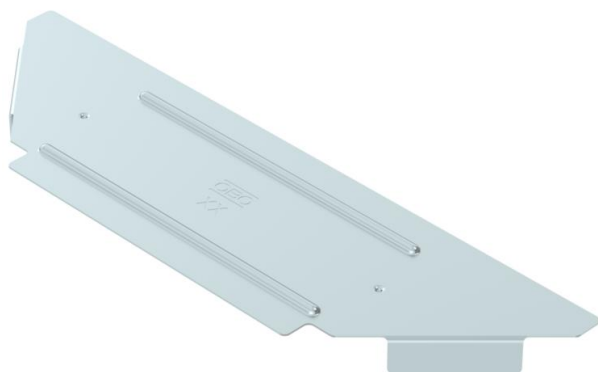
Technical data sheet

Cover for add-on tee FS

Item number: 6042403



Cover for add-on tee fitting for lockable and screw-on cable trays in indoor areas, to protect cables against damage and soiling. Fastening through attachment of the section cover. Suitable for all side heights.
The cover can be used with fittings of all side heights.



St Steel

FS Strip galvanized

Master data

Item number	6042403
Type	RAAD 150 FS
Description 1	Cover
Description 2	for add-on tee
Manufacturer	OBO
Dimension	B150mm
Material	Steel
Surface	Strip galvanized
Surface standard	DIN EN 10346
Smallest sales unit	1
Unit of quantity	Piece
Weight	10 kg
Weight unit	kg/100 pc.

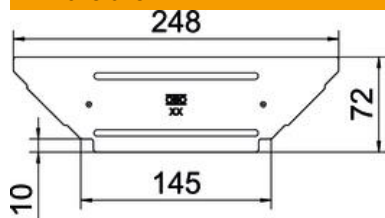
Technical data sheet

Cover for add-on tee FS

Item number: 6042403



Dimensions



Width	150 mm
Plate thickness	0.75 mm

Technical data

Number of turn buckles	0 St.
Fastening type	On top
Suitable for cable ladder	no
Suitable for cable tray	yes
Material thickness	0.75 mm
Rustproof steel, pickled	no
Permitted temperature range, max.	120 °C
Permitted temperature range, min.	-20 °C
Wide-span version	no