

# Technical data sheet

## FireBox T100ED with external fastening and fuse holder

Item number: 7205752



Junction box with one fuse holder and soft plug-in seals. Sufficiently large wiring compartment through diagonally arranged connection unit with completely pre-mounted, high-temperature-resistant ceramic terminals. Green-yellow labelled protective conductor terminal. Fastening on easily accessible external flaps. Approved for cable systems that maintain the electrical function according to DIN 4102 Part 12 with the classes E30, E60 and E90. Ceramic clamps have been tested according to DIN EN 60998-2-1:2004.



Including 2 x MMSplus P 6x35 screw ties.



PP Polypropylene

### Master data

Item number	7205752
Type	T100ED 06AF
Description 1	Junction box
Description 2	for function maintenance
Manufacturer	OBO
Dimension	150x116x67
Colour	Pastel orange; RAL 2003
Material	Polypropylene
Smallest sales unit	1
Unit of quantity	Piece
Weight	48.65 kg
Weight unit	kg/100 pc.

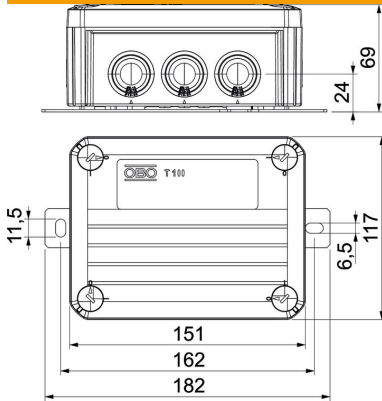
# Technical data sheet

## FireBox T100ED with external fastening and fuse holder



Item number: 7205752

### Dimensions



Length	150 mm
Width	116 mm
Height	67 mm
Dimension B	116 mm
Dimension H	67 mm
Dimension L	150 mm
Dimension L1	162 mm
Dimension L2	182 mm

### Technical data

Expandable	no
No. of entries	10
Number of terminals	6
Type of housing penetration	Cutable stepped membrane
Measured insulation voltage $V_i$	690 V
Equipment	Terminal
Cover	Not transparent
Cover fastening	Screwed
Entry from rear	no
Entries	8x M25 2x M32
Explosion-tested version	no
Shape	Rectangular
Maintain electrical functions	E 90
For Ex zone	Without
For Ex zone gas	Without
For Ex zone dust	Without
Halogen-free	yes
Clear internal dimensions	136x102x57 mm
With screening	no
with lid	yes
Nominal cross-section, min.	6 mm <sup>2</sup>
Nominal voltage	660 V
Sealable	no
Impact-resistant	no
Protection rating	IP66
Weatherproof	no